



LUMEN POWER™ MAGNETIC DIMMABLE TRANSFORMER

Lumen Power LPM150, LPM200, LPM300 is a dimmable, magnetic, hard wire power supplies which can supply 12V or 24V, DC voltage to any kind of our low voltage LED fixtures. Primary manually reset circuit breaker on all our products is standard. Secondary protection is standard for all DC products. Two section bobbin provides complete insulation between primary and secondary sides. Encapsulated with polyester resin for whisper quiet operation. Small dimensions and weight saves space and lowers an installation cost. The outdoor enclosure rated NEMA 3R or IP24.

SPECIFICATION

WATTAGE:	150 Watts, 200 Watts, 300 Watts
INPUT POWER:	12 V DC or 24 V DC
WARRANTY:	5 years
<ul style="list-style-type: none"> - Dimmable with any MLV, CL Dimmer, as long as dimmers min. load is covered - Temperature class (130°C) - Input leads are 18 AWG 600V - Output leads are 18 AWG 300V - Leads max. operational temperature is 105°C - The actual transformer is encapsulated in enclosure. - The enclosure is black powder coated steel, NEMA - Outdoor/indoor, black powder coated or Stainless Steel enclosure, Primarily and Secondary circuit breaker, Dimmable. 	

FEATURES

- ✓ Dimmable
- ✓ Indoor/Outdoor rated
- ✓ UL Approved
- ✓ Smooth Dimming
- ✓ Protection Overload

RATINGS

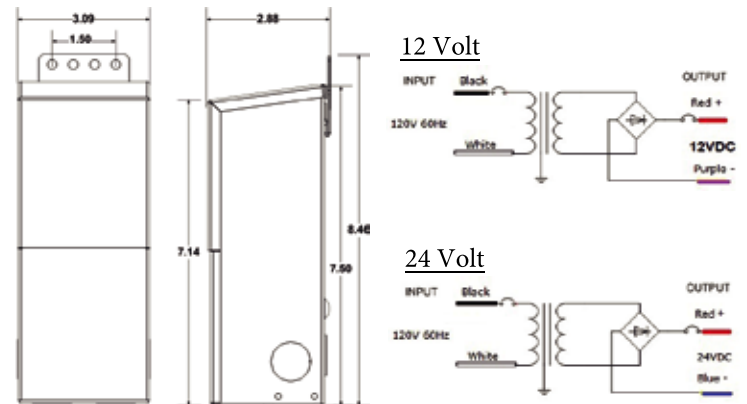


Product Model Number

Job Name / Location

Type, Quote

DIMENSIONS



ORDERING GUIDE

EXAMPLE: LPM15012VDC

MODEL:	LPM	LPM
WATTAGE:	150	150 (150 watts) 200 (200 watts) 300 (300 watts)
VOLTAGE:	12	12 (12V) / 24 (24V)
	DC	