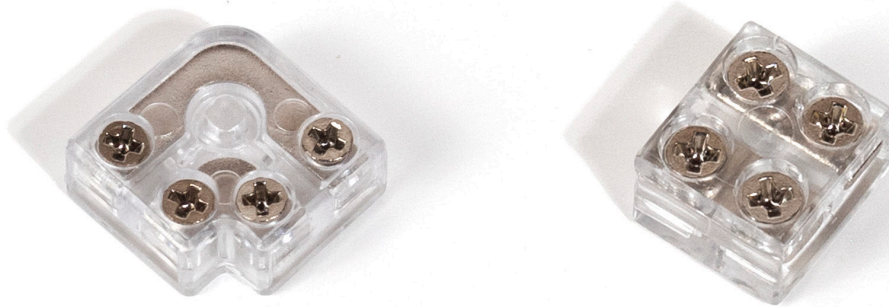


LUMEN FLEXX™ L-CONNECTOR AND COUPLING

Our dot-free connector is compatible with all our indoor tape lights ranging from 8mm to 10mm in width. Connecting our coupling or L-connector is a straightforward process. Simply loosen the screws, insert our tape light into the connector after peeling off the 3M adhesive tape from the back of the tape light. Ensure that the screws align with the connection points on the tape light, then tighten the screw where the tape light meets to secure it in place.

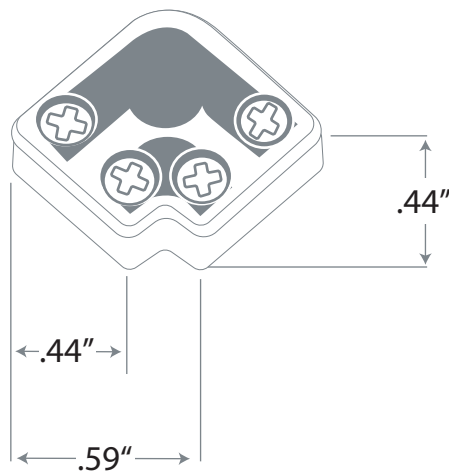
For the best outcomes, employ 18-14 AWG solid



L-CONNECTOR SPECIFICATION

VOLTAGE:	12-24 Volt DC
MAX CURRENT:	10 AMP
SIZE:	.39" x .59" x .19"
TAPE LIGHT COMPATIBLE:	8mm- 10mm
MODEL NUMBER:	LFPLCN

DIMENSIONS



COUPLING SPECIFICATION

VOLTAGE:	12-24 Volt DC
MAX CURRENT:	10 AMP
SIZE:	.39" x .43"
TAPE LIGHT COMPATIBLE:	8mm- 10mm
MODEL NUMBER:	LFPCP

DIMENSIONS

