



LUMEN POWER™
ELECTRONIC DIMMABLE TRANSFORMER

Our LP-2496MD is a compact, 96-watt, 24-volt TRIAC/MLV/ELV dimmable driver, providing efficient and reliable power for remote lighting applications. This driver perform exceptionally well even in challenging settings, seamlessly integrating with TRIAC, MLV, or ELV dimmer switches for smooth, precise dimming transitions. Designed to meet rigorous safety standards, this driver is Class 2 and UL Listed

SPECIFICATION

WATTAGE:	96 Watts
INPUT POWER:	24 V DC
WARRANTY:	5 years
-Rated Current : 4A	-Weight : .37lb
-Minimum Load: 20%	-Size: 3.31 x 1.57 x 0.98 Inches
-Voltage Range: 120VAC	-Dimmable with Triac, MLV and ELV
-Working Temp. -40 - 140F	

FEATURES

- ✓ Compact size, can be easily hidden
- ✓ Available in 24 Volt
- ✓ Dimming from 0-100%
- ✓ 20% minimum load
- ✓ Compatible with Triac, MLV, and ELV Dimmers
- ✓ Class 2

RATINGS

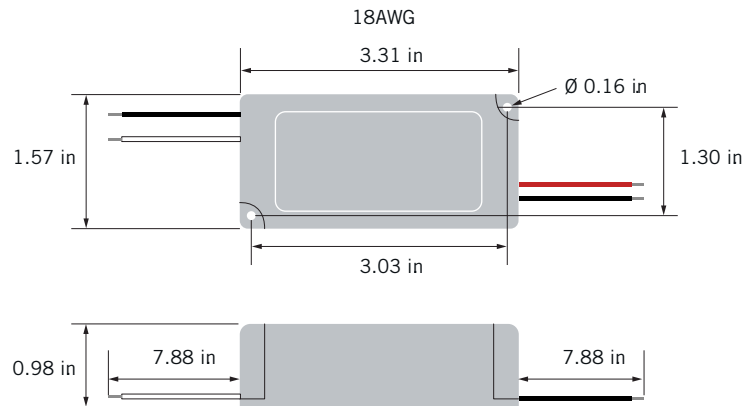


Product Model Number

Job Name / Location

Type, Quote

DIMENSIONS



ORDERING GUIDE

EXAMPLE: LP2460MD

MODEL:	LP	LP
VOLTAGE:	24	24 (24V)
WATTAGE:	96	96 (96 watts)
	MD	MD