

WHATS INCLUDED IN THE BOX

Qty	Product
1	16.4ft COB 24 Volt IP20 Indoor Tape Light
1	LPE5 60 Watt 24 Volt Indoor/Outdoor Transformer
6	COB Tape Light Coupling
6	COB Tape Light 12" Connector
6	Corner COB L Coupling
1	20ft (20/2) Wire

LUMEN FLEXX COB TAPE LIGHT KIT

Liteco's COB Series Pro Kits are built to simplify your workflow, bringing together premium-grade components for seamless single-color linear lighting installs. Engineered for reliability and efficiency, every kit is matched for perfect compatibility—no trial and error required. Just choose your controller or dimmer, and achieve a professional-quality result in less time.

Features

- ✓ 16 ft 3 watt COB Tape Light
- ✓ 95 CRI / High Lumens / Architectural Quality
- ✓ Dimmable Transformer (ELV/ TRIAC/ FORWARD PHASE/ REVERSE PHASE/ 0/1-10V, PWM)
- ✓ Input 120V-277V
- ✓ Available in 2700K, 3000K, 4100K, 5000K
- ✓ Secured with 3M VHB Adhesive Tape
- ✓ Field Cuttable

Ordering Guide

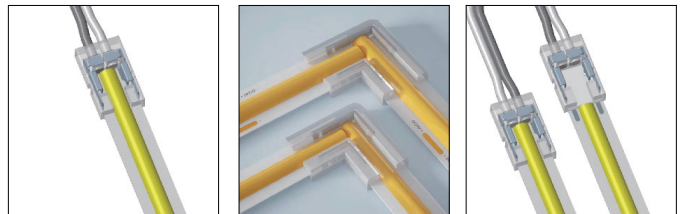
Example: LF3WCOB-16.4FT-24V-IP20-KIT

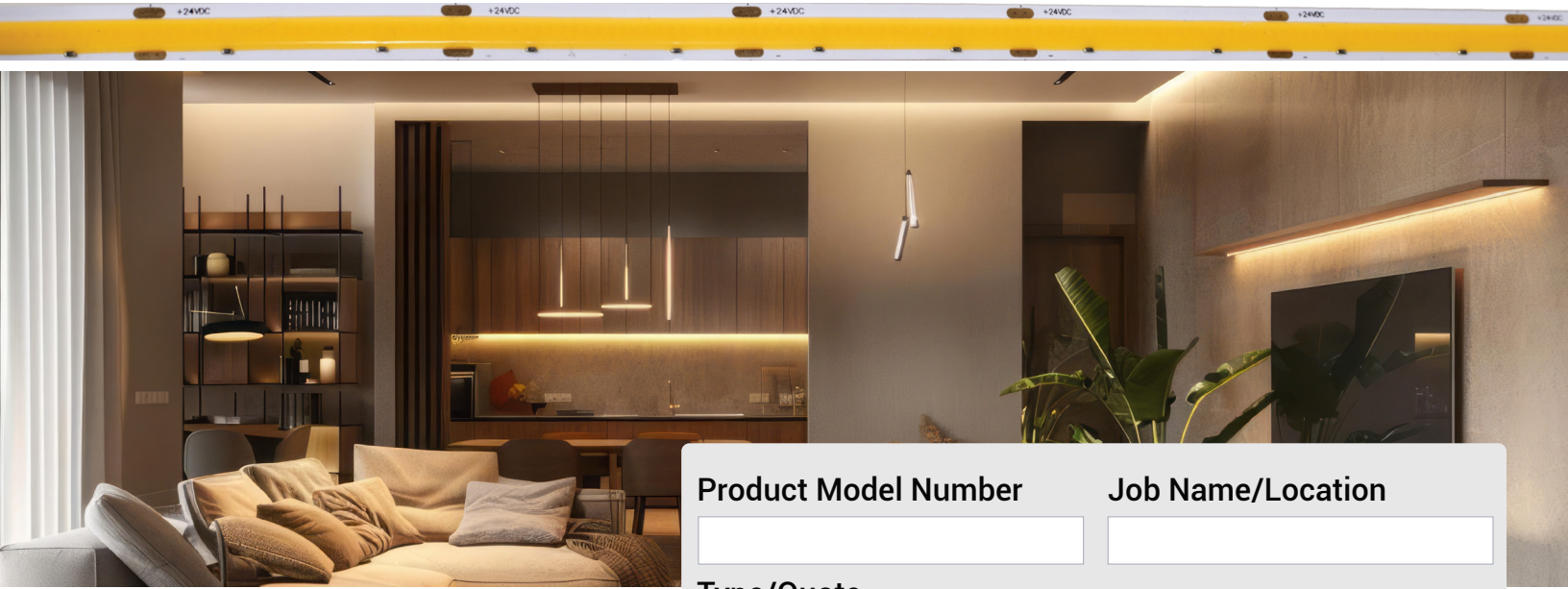
Model:	LF3WCOB	LF3WCOB
Color Temp:		27K (2700K) / 30K(3000K) / 35K (3500K) 41K (4100K) / 50K (5000K)
Voltage:	24V	24V
Length:	16.4ft	16.4ft / 100ft / Custom Length (___")
Rating:	IP20	IP20 Indoor
	KIT	KIT

Product Model Number

Job Name/Location

Type/Quote





Product Model Number

Job Name/Location

Type/Quote

LF3W LED COB TAPE LIGHT

The Liteco LF3WCOB IP20 is a premium indoor 3 watt/ft LED tape light with medium brightness and advanced COB technology for smooth, spot-free illumination. Built with 4 oz copper and gold plating, it ensures reliable performance with stable voltage. Offering 95 CRI for precise color rendering and a 50,000-hour lifespan, it's ideal for undercabinet, closet, shelf, stair, cove, and ambient lighting. Pre-applied 3M VHB adhesive ensures quick, secure installation, making the LF3WCOB IP20 a durable, elegant solution for versatile indoor lighting.

SPECIFICATION

COLOR TEMPERATURE: 2400K, 2700K, 3000K, 3500K, 4100K, 5000K,

INPUT POWER: 24V DC

LED LAMP LIFE: 50,000 Hours

LIGHT DISTRIBUTION: 120 degrees

DIMMABLE OPTIONS: MLV, 0-10V, ELV

WARRANTY: 5 years

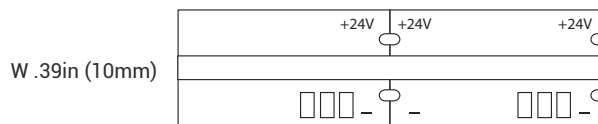
WATTAGE: 3 Watts/ft

LUMEN OUTPUT: 240-325 Lumen/ft 95CRI

ORDERING LENGTH: 16' ft, 100' ft, Custom Cuts

MAX RUN: 24V (40 ft)

CUT FIELD LENGTHS: 24V (Every 2")

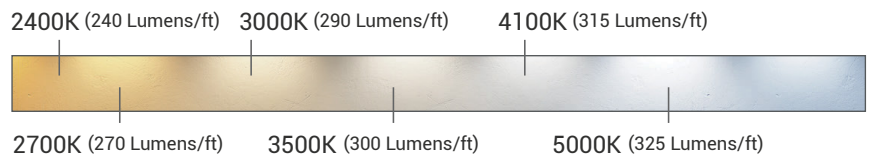


cut every 2 inch

Product Features

- Outstanding Color rendering of 95+ CRI
- UL Approved with Cuttable Field Section
- California JA8 Title 24 approved
- Pre-applied adhesive 3M VHB Tape light
- Architectural lighting
- 4 oz of copper, gold plated in tape light for constant voltage

Color Temperature



Product Ratings





LUMEN POWER™
60 WATT ELECTRONIC UNIV 5 IN 1 DIMMING TRANSFORMER LPE5

Lumenpower LPE560 is our 5 in 1 Indoor/Outdoor LED 60 Watt Transformer, 0-10V, 100-277V, Triac Forward and Reverse Phase, Resistor, PWM. Our Transformer works with many types of dimmer such as LED, MLV, ELV, 0-10V, Flicker Free Dimming, Smooth Dimming with only 5% minimum Load.

SPECIFICATION

OUTPUT WATTAGE:	60
INPUT VOLTAGE:	100-277V 50/60Hz
OUTPUT CURRENT:	10A
DIMMABLE:	LED, MLV, ELV, 0-10V, TRIAC
MAX OPERATION TEMPERATURE:	130 °F
STORAGE TEMPERATURE:	-65 °F to 125 °F
MINIMUM LOAD:	5%
WARRANTY:	5 years
- Input leads are 18 AWG 600V	
- Output leads are 18 AWG 300V	
- Transformer is encapsulated in enclosure.	
- The enclosure is black powder coated steel	
DIMENSIONS (INCH):	H = 9.92, W = 4.25, D = 1.8
WEIGHT:	5 lbs

PRODUCT FEATURES

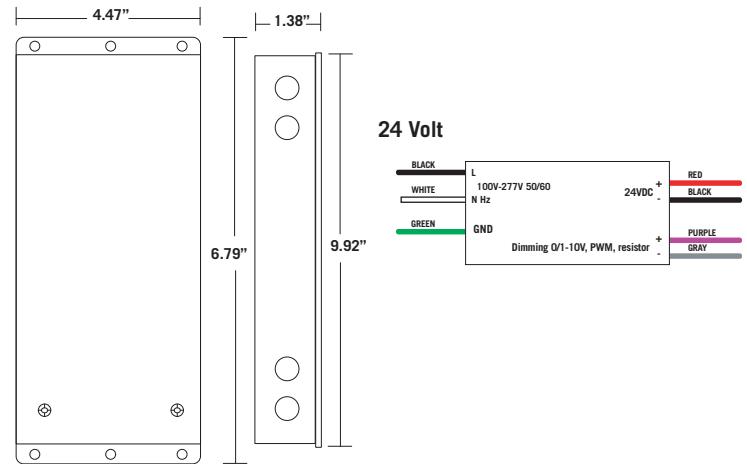
- ✓ 5 in 1 Dimming Transformer
- ✓ Indoor/Outdoor
- ✓ Dimmable by LED, MLV, ELV, 0-10V, TRIAC
- ✓ Smooth Dimming
- ✓ Protection overload

Product Model Number

Job Name/Location

Type/Quote

DIMENSIONS



RATINGS





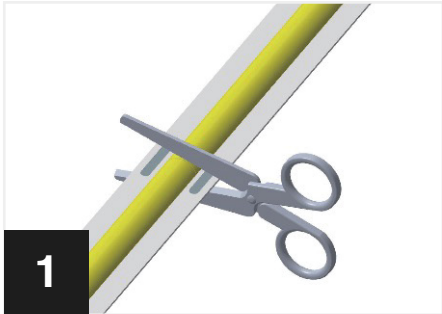
The new **LFCOBCP** offers a super-slim design, unmatched durability, and seamless coupling. Its advanced design ensures the safest and fastest connection for LED tape installations while eliminating dark spots and preserving original light efficiency. Specifically designed for high-density LED tape, including COB and linear lighting within aluminum profiles, it enables flexible and convenient coupling during installation. The innovative coupling mechanism guarantees a stable and secure connection between LED tapes and connectors, preventing disconnections and ensuring reliable, long-term performance.

Model:

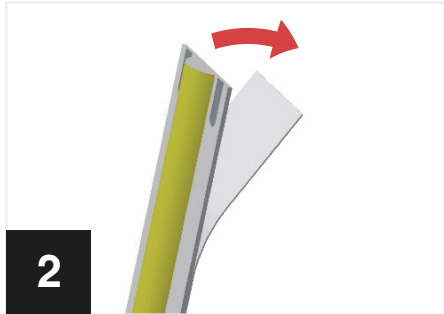
- LFCOB-CP-6 6" COUPLING
- LFCOB-CP-12 12" COUPLING
- LFCOB-CP-24 24" COUPLING
- LFCOB-CP-36 36" COUPLING
- LFCOB-CP-60 60" COUPLING
- LFCOB-CP-120 120" COUPLING

Specifications:

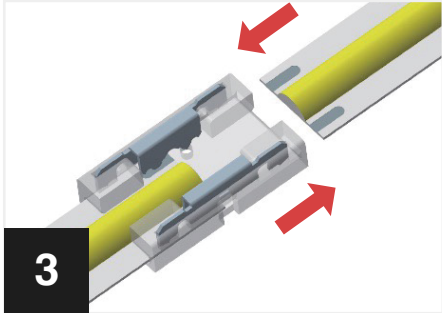
- Rated current: 5.5A
- Dimension: 10mm wide
- Contact Area: 7.5 mm
- Rated voltage: 0-36V
- Contact Piece: high purity copper
- Working temperature: 14 degree Fahrenheit -113 Fahrenheit
- Highest temp: 221 Fahrenheit



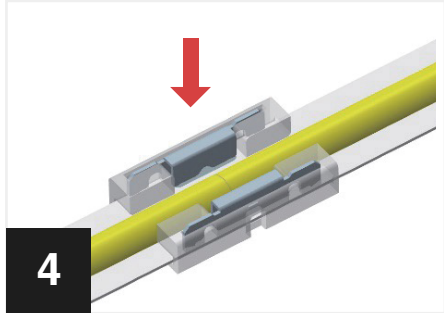
1 Unfold and cut off the required length from the cuttable sections.



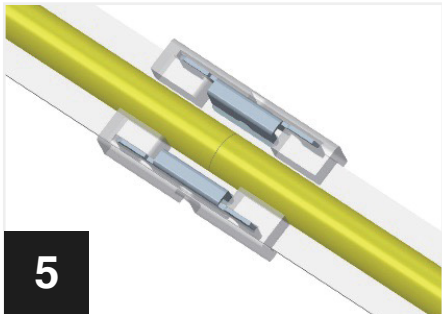
2 Strip off the 3M adhesive tape on back of the LED strip.



3 Insert the LED strips into the connector (notice: poles of the two LED strips need to be consistent)



4 Press the hardware to the bottom by use of tool



5 Connection completed



The new **LFCOB CONNECTOR** features a super-slim design, exceptional durability, and a seamless connection. This innovative design ensures the safest and fastest installation of LED tape while eliminating dark spots and maintaining the original light efficiency. It is compatible with high-density LED tape, including COB and linear light within aluminum profiles, offering flexibility and convenience during installation. The advanced connectivity provides a secure and stable connection between LED tapes and connectors, preventing disconnection and ensuring long-lasting performance.

Model:

LFCOBCN-6" 6" CONNECTOR

Specifications:

Rated current: 5.5A

Dimension: 10mm wide

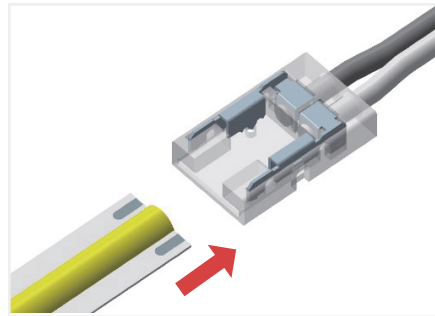
Contact Area: 7.5 mm

Rated voltage: 0-36V

Contact Piece: high purity copper

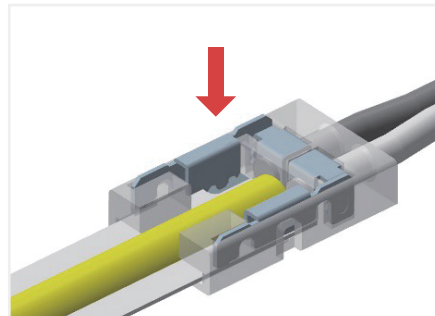
Working temperature: 14 degree Fahrenheit -113 Fahrenheit

Highest temp: 221 Fahrenheit



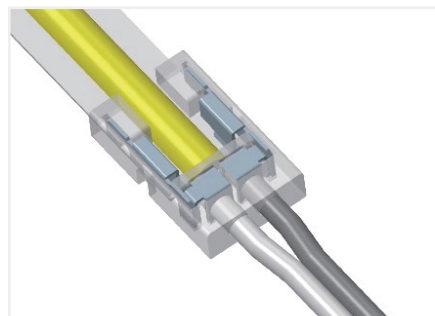
1

Insert the LED tape into the inner most connector after stripping off the 3M adhesive tape (notice: make sure the poles of the led strip is align with the poles of the cables)



2

Press the hardware to the bottom by use of tool



3

installment complete



The new **LFCOB-CCP and LFCOB-CP** Corner coupling features a super-slim design, exceptional durability, and seamless corner coupling. This innovative design ensures the safest and fastest connection for LED tape installations at corners while eliminating dark spots and maintaining original light efficiency. Ideal for high-density LED tapes, including COB and linear lighting within aluminum profiles, providing flexibility and convenience during corner installations. Its advanced coupling mechanism guarantees a stable and secure connection between LED tapes and connectors, ensuring reliable, long-lasting performance without the risk of disconnection

Model:



Specifications:

Rated current: 5.5A

Dimension: 10mm wide

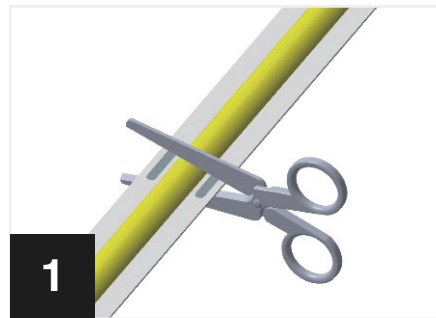
Contact Area: 7.5 mm

Rated voltage: 0-36V

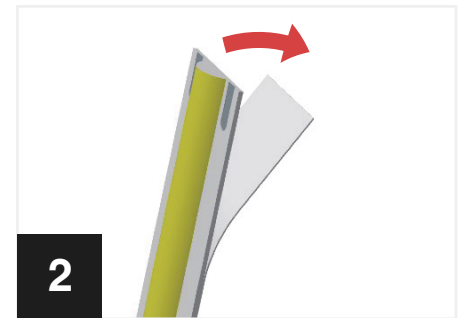
Contact Piece: high purity copper

Working temperature: 14 degree Fahrenheit -113 Fahrenheit

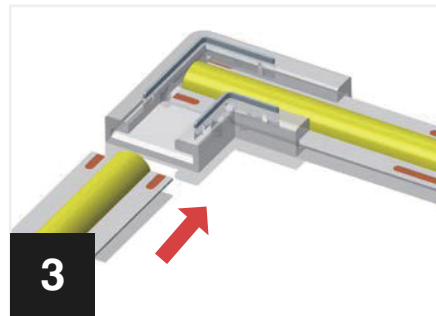
Highest temp: 221 Fahrenheit



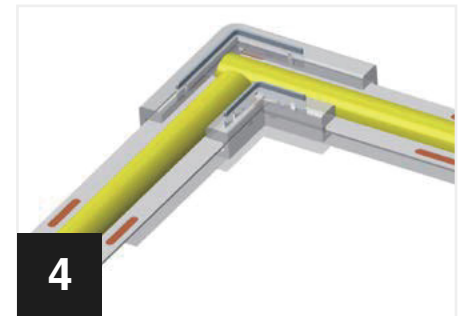
Unfold and cut off the required length from the cuttable sections.



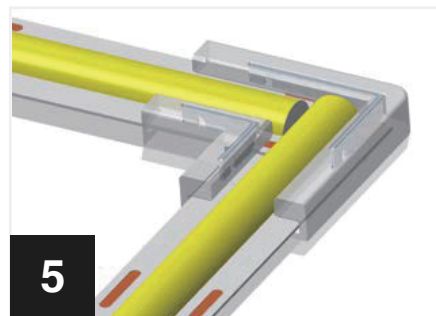
Strip off the 3M adhesive tape on back of the LED strip.



Insert the LED strips into the connector (notice: poles of the two LED strips need to be consistent)



Press the hardware to the bottom by use of tool



Connection completed